

CAREFREE AWNINGS

INSTALLATION INSTRUCTIONS AND OWNER'S MANUAL



FOR ALL CURVED-SIDE TRAILERS

Covered by one or more of the following patents:
3918511; 3866974; 3980121; D-240389; 4033397

Carefree of Colorado

Division of the Scott & Fetzer Co.
2760 INDUSTRIAL LANE, BROOMFIELD, COLORADO 80020
1-800-525-3421

© Carefree of Colorado, Division of the Scott & Fetzer Co., 1976

52-515 B1077

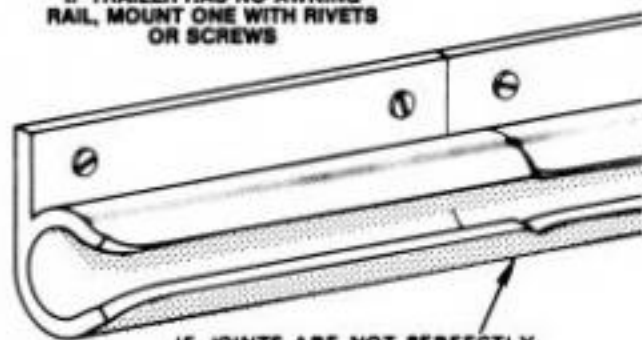
1

- A. Decide where arms will fit and not interfere with lights, vents, mirrors, etc. Must be in even feet between center of brackets and should extend over the doorway. Plan to locate the front arm, if possible, on a vertical rib. Cover any sharp projections with padding (rags or paper) and masking tape to avoid scratching holes in awning when threading into channel.



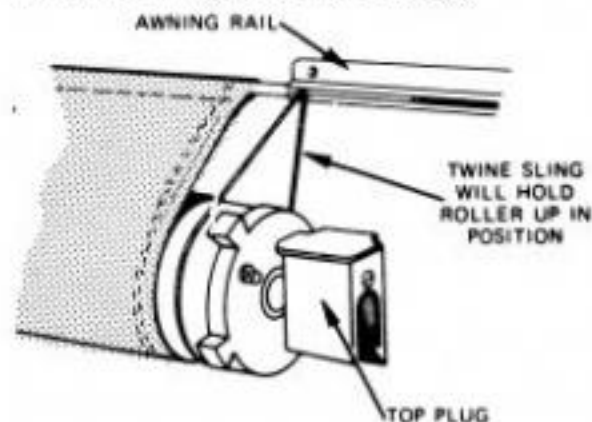
- B. Straighten and smooth awning rail. Spread the back end of opening with pliers or screwdriver for easy insertion.

IF TRAILER HAS NO AWNING RAIL, MOUNT ONE WITH RIVETS OR SCREWS



IF JOINTS ARE NOT PERFECTLY ALIGNED, OPEN NEXT SECTION

- C. Slide awning into channel. Silicone spray will make the awning slide more easily.



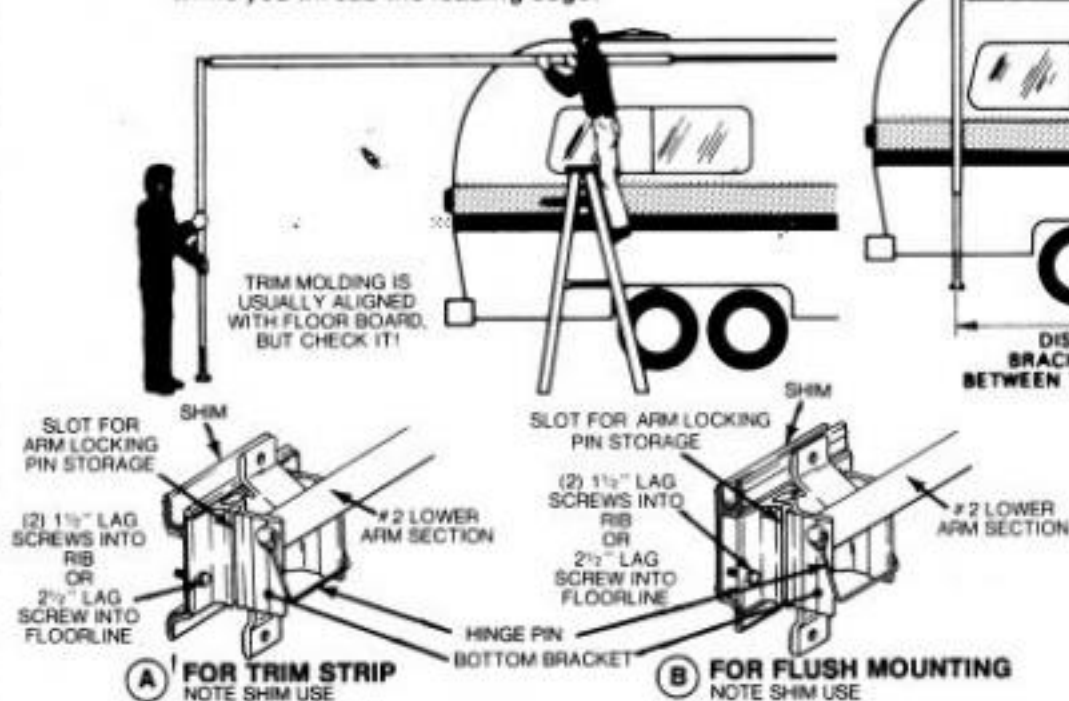
You will need a helper for a few minutes for this operation.

NOTE: An old glove over top plug will lessen chance of scratching trailer.

2

- A. If you have only one helper, he can hold the back end of the awning in position while standing on the ground if he will insert the back arm into the top plug at the back of the awning temporarily and walk it forward while you thread the leading edge.

- B. Align the arms with the end plugs, using half of the "play" at each end. Arms must be parallel to each other and to window or door. Don't use plumb line.



- C. Insert top plugs (see #4) in the top of each upper arm section. Mount the bottom bracket into the ribline with 1 1/2" lag screws (if on curved-side trailers), or into floorline with 2 1/2" lag screws, (the floor board is just above the trim on Airstream and behind the trim on most others. Check to be sure). Refer to (A) or (B) for use of bottom bracket shim.

3

- A. Mount the "h" brackets so that they straddle the awning rail and are in line with the Lexan end cap. Use 1 1/2" lag screws to attach. The "h" bracket may be mounted with the top of "h" either up or down depending on which position will give best fit. Adjusting stud placement will be done in Section 4C.

- B. Make sure you have the correct arms to fit the curve of the trailer. The following types are available:
 #6 — for 1969 and newer Airstream and Argosy.
 #7 — for 1968 and older Airstream; also Minuet.
 #8 — for all Avions.
 #11 — Silverstreak.

You should find the number of the arms punched on the #1 upper arm section just below the safety locking knob.

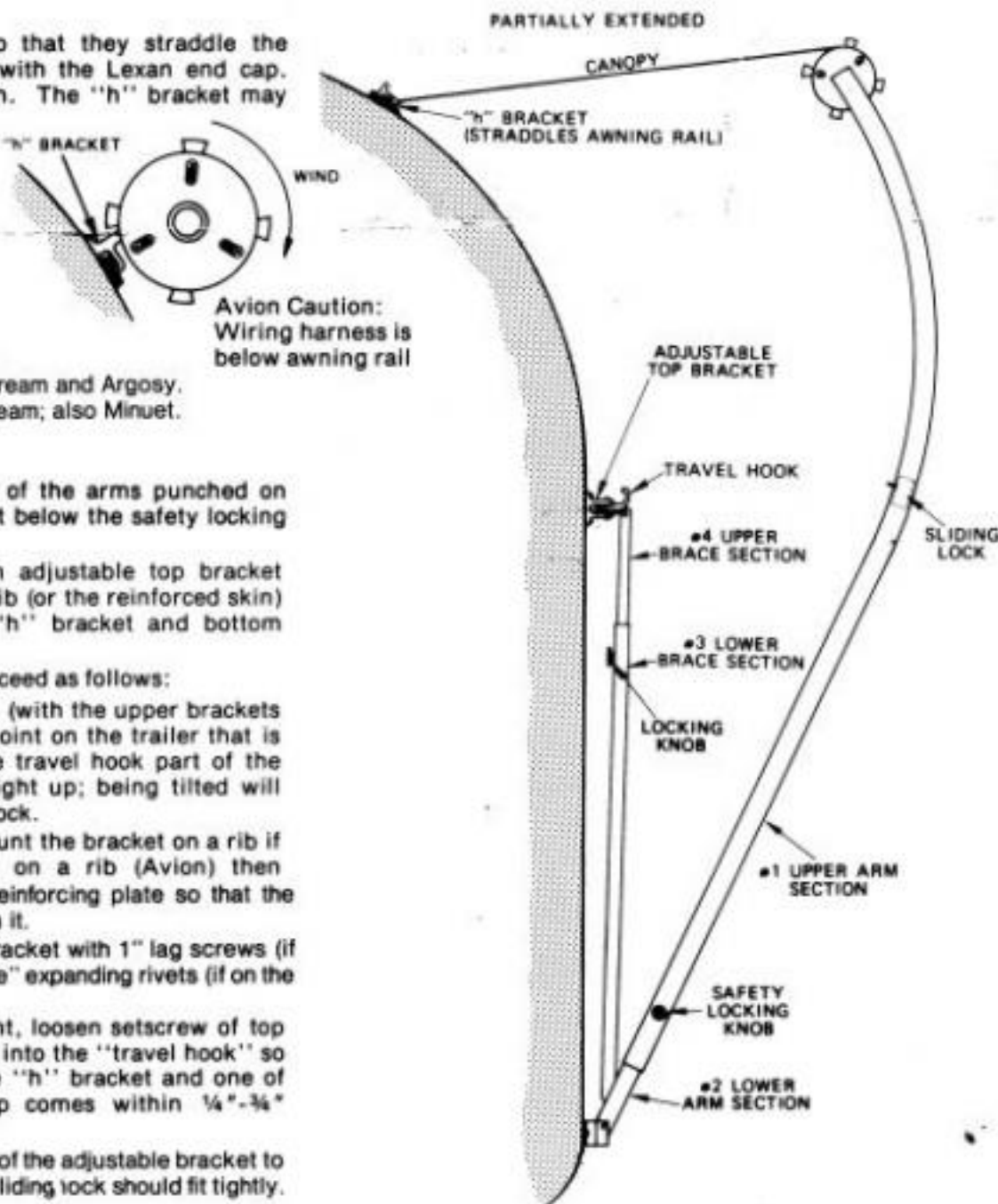
- C. All the above arms have an adjustable top bracket which is to be fastened to a rib (or the reinforced skin) of the trailer in line with "h" bracket and bottom bracket.

To position this correctly, proceed as follows:

- Slide the smallest channel (with the upper brackets attached) to the highest point on the trailer that is still below the curve. The travel hook part of the bracket should point straight up; being tilted will interfere with the sliding lock.
- Mark the position and mount the bracket on a rib if possible. If you are not on a rib (Avion) then position and rivet on the reinforcing plate so that the bracket will be centered on it.
- Mount the adjustable top bracket with 1" lag screws (if on a rib) or special "Bulb tite" expanding rivets (if on the reinforced skin).

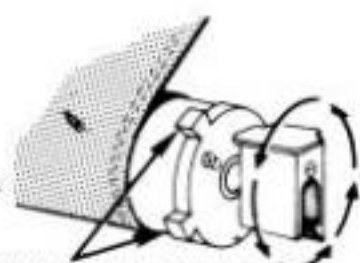
- D. To set top bracket adjustment, loosen setscrew of top bracket. Slide the awning up into the "travel hook" so that the end cap touches the "h" bracket and one of the studs on each end cap comes within 1/4" - 3/4" above the "h" bracket.

Now tighten adjustment screw of the adjustable bracket to hold the arms in this position. Sliding lock should fit tightly.



4

- A. While arms are retracted, with the awning rolled up, turn top plug on end of roller tube in direction of arrow to wind spring correct number of turns.

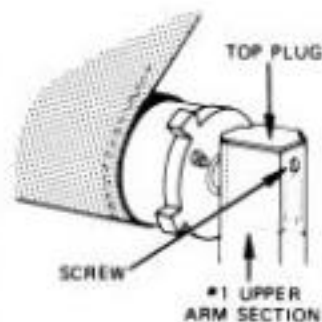


HOLD TIGHT!
DON'T LET IT SLIP WHILE TURNING!

ONE OF THESE STUDS SHOULD FALL JUST ABOVE BRACKET TO FORM ANTI-BILLOWING LOCK

- on 8' to 10' wind 3 turns.
on 12' and 13' wind 4 turns.
on 14', 15' and 16' wind 5 turns.
on 17', 18' and 19' wind 6 turns.
on 20' and 21' wind 7 turns.

Insert top plug in top of #1 upper arm section and secure with screw. Cut off and discard twine sling.

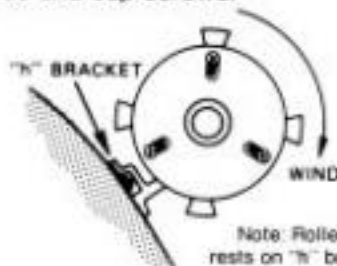


- B. Check the "h" shaped brackets of the Anti-billow locks for alignment. Be sure they engage the studs on the end caps to avoid unrolling in the wind when traveling.

These should be mounted so that the top of the "h" is either up or down depending on which fits best on the particular trailer.

- C. If one stud touches the "h" bracket, remove the three screws from the end cap and rotate the end cap until no stud touches the "h" bracket. Be sure you choose a position allowing for use of all three end cap screws.

NOTE: On units using metal end caps and three stud design, it will be necessary to drill out the misplaced stud, and install a new one in the proper position. Use a 3/16" bit, and #68 steel rivets.



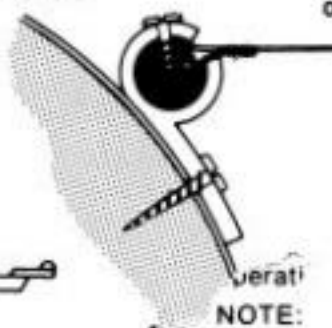
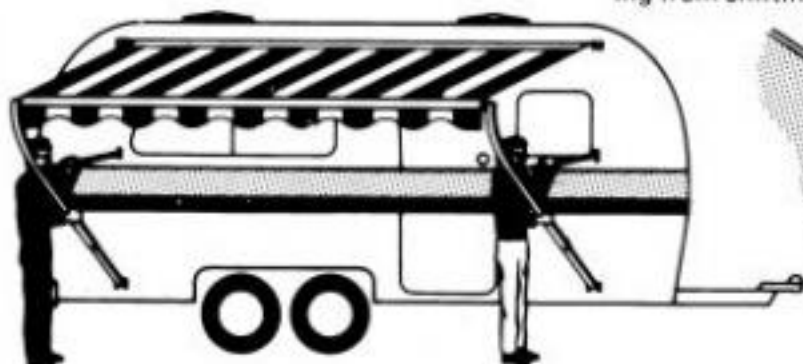
Note: Roller cap rests on "h" brackets, not trailer side.

5

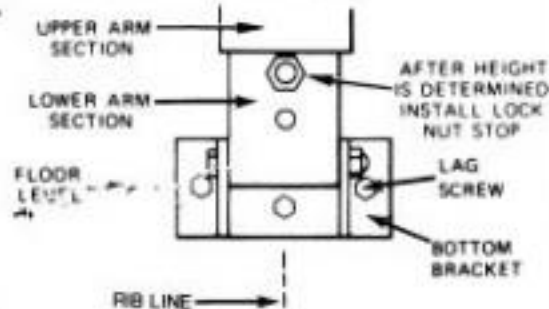
- A. Extend awning several times to be sure it rolls smoothly. If the awning rolls unevenly, it may be necessary to slide the canopy fabric slightly towards one end in the awning rail.

- B. Install small screws through the awning rail near the ends of the awning by drilling through the top of the awning rail and into the polyrod as shown in the drawing. The screws will prevent the awning from shifting.

- C. To prevent the arms from jamming in case the top section of the arms should drop down and hit bottom it is necessary to install "stop" bolts just under the upper section of arm while they are in the travel position. Insert the 1/4" x 3/8" bolts from behind, and place the lock washers and plated nut on the outside to form a stop.



NOTE:

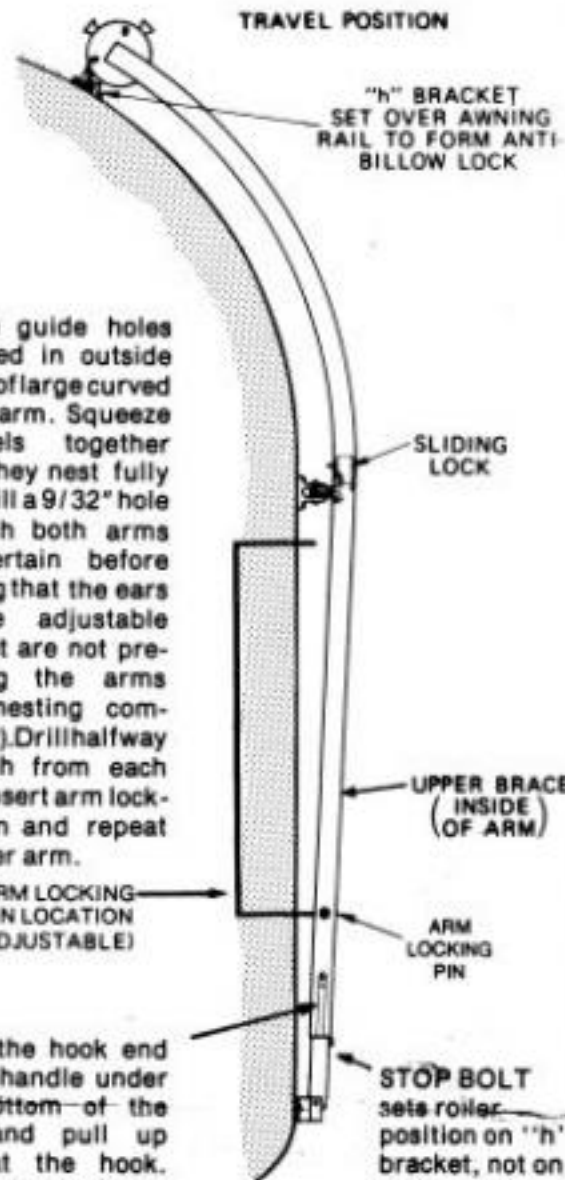


VERY IMPORTANT

When arms are lifted into the travel hooks of the adjustable top brackets, make sure that a stud on each end cap is from 1/4" - 3/8" above the "h" bracket catch. This prevents fabric from unrolling in the wind when traveling. Slide the sliding lock over the travel hook of the adjustable top bracket to secure the arm. Tighten all locking knobs. See 4 C.

6

TRAVEL POSITION



- a. Locate guide holes punched in outside edges of large curved upper arm. Squeeze channels together until they nest fully and drill a 9/32" hole through both arms (Be certain before drilling that the ears of the adjustable bracket are not preventing the arms from nesting completely). Drill halfway through from each side. Insert arm locking pin and repeat on other arm.

- b. Place the hook end of the handle under the bottom of the arm and pull up to seat the hook. Insert rivets. Strike rivets with hammer to set.

a. Loosen the safety locking knob near the bottom of each arm, and remove arm locking pin. Disengage the sliding lock which is over the travel hook of the adjustable top bracket. (Push in on the arm to relieve the pressure on sliding lock).

b. Use the plastic wand to hook center pull strap.

c. Extend the awning until only one wrap of fabric remains on roller. Hold awning roller while walking to either awning arm. Place and tighten the #3 and #4 braces under stops of the outstretched arms.

d. Now slide both arms up to raise the front of the awning high enough to clear opened door. Tighten the safety locking knobs on the arms. Remove strap.

e. Place arm pins in slot provided in bottom bracket.

f. In order to retract, reverse steps above.

PARTIAL EXTENSION

a. Extend awning as usual.

b. Place #3 lower brace section against stop in #1 upper bracket section.

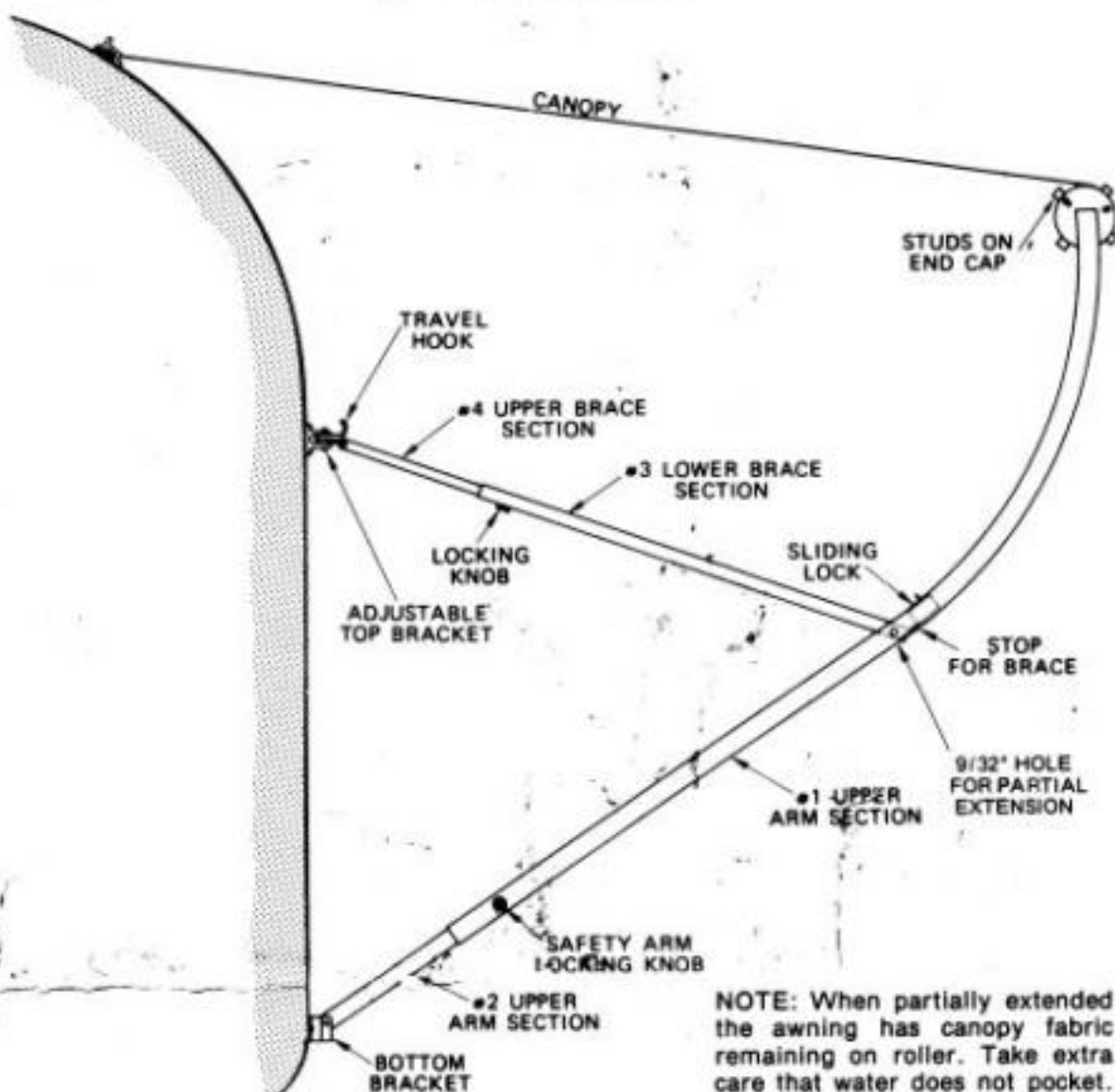
c. Drill a 9/32" hole through the #1 upper arm section and #3 lower brace as shown. Awning should be set to desired extension & height before inserting locking pin. Place arm locking pin through and tighten brace securely.

d. Adjusting length of braces will adjust canopy extension.

7

OPERATING INSTRUCTIONS TO EXTEND AWNING

FULLY EXTENDED



NOTE: When partially extended the awning has canopy fabric remaining on roller. Take extra care that water does not pocket. You will notice an increase in vibration when the awning is partially extended in windy conditions.

MAINTENANCE INSTRUCTIONS

1. The aluminum parts used are the strongest in the awning industry. They are designed to withstand sun, rain, and breezes up to a point. However, in line with all other awning manufacturers we must exclude wind damage and damage caused by water collecting in a pool on the awning. If you have a pool, push up with a broom under the awning.

2. To avoid water pooling, lower one end so water runs off one corner. It may also be necessary to raise the other corner. A 6" tilt is usually not enough. Damage caused by water pooling is not covered by warranty.

3. Since the awning can be retracted in 15 seconds it should always be retracted at night and when you are absent.

4. You will notice less vibration inside the trailer if you retract the awning when a breeze is blowing.

5. Mildew will not form on awning vinyl but will form on dirt. To keep your awning clean and flexible wash regularly with a quality cleaner, such as Awning Magic™ or good detergent. Use bleach to remove stains.

IMPORTANT: Do not allow caustic cleaners, mildew removers, or metal cleaners to contact vinyl surfaces as they will destroy awning color.

6. The fabric is the strongest made, and is tear resistant, however care should be taken not to cut it with the corner of the door or any other sharp projection.

Increase your camping pleasure with:

- Brezeway screen enclosures
- Ground Covers
- Butane tank covers

- Signal Commander Antennas
- Snap-Awn front window awning
- Wheel well covers
- Carport kits

adjustab.
lock should fit