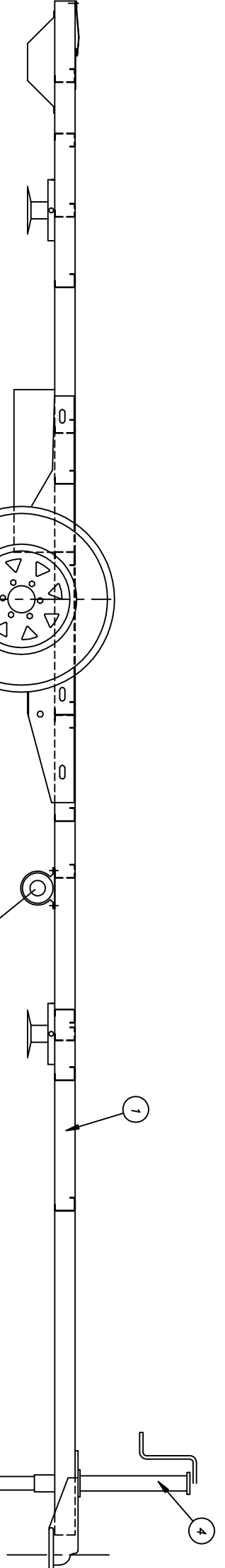
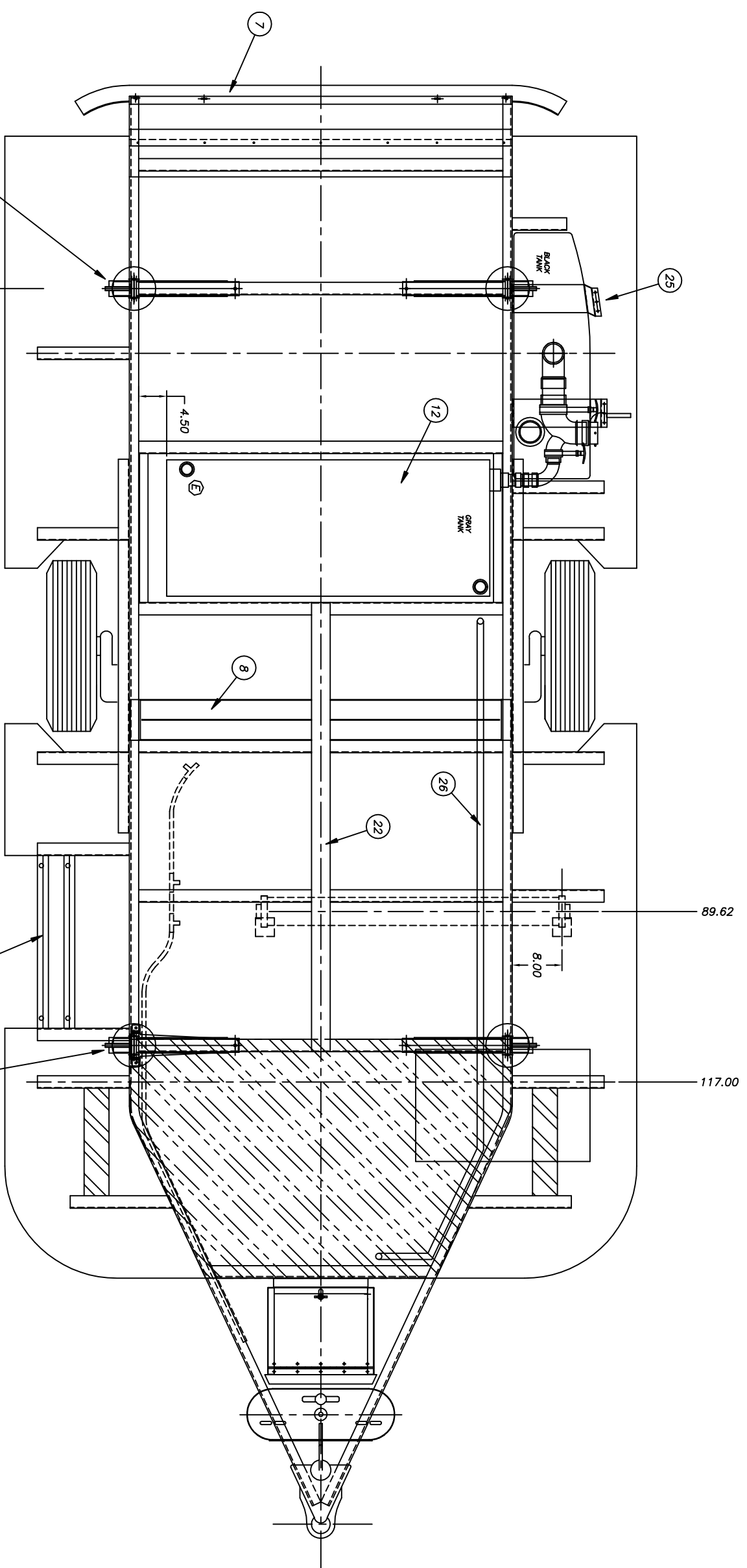


LET	DATE	E.C.N.	REVISION RECORD	BY
4/99	4/757		PRODUCTION RELEASE	JM
5/99	4/757		REV. B.O.M. FOR MR 2000	DW
3/00	4816D		ADD 24, REV 3 & 14 (2001 MODEL)	CK
6/01	4856G		ADD ITEM #25 FOR TANK MOUNTING	CK
5/02	4907-A		REVISED FOR MY2003	DW
10/02	4949		REV FITTING VIEW	BS
11/02	4965		REDUCE LENGTH OF ITEM 22	GC
03/03	5020		ADD FRONT STABILIZER JACKS	GC
4/03	5012		ADD NOTE	JST
2/04	5083		ADD ITEM 24 TO 19' CCD, MY2005	JST
9/04	5115		REVISED STEP LOCATION	JW
9/04	5100-J		CHANGED STABILIZER JACKS	JW
6/05	5130-J		ADDED STABILIZER JACK SPACER	JM
1/06	E-0000		REV. ITEM #6 SINGLE STEP INSTALL	KM



ITEM	QTY	DESCRIPTION	UM
27	1 EA	SPACER, STABILIZER JACK	1 EA
26	1 EA	HARNISS, POWER CENTER	1 EA
25	1 EA	INSTALL STRAPS - BLACK TANK 19"	1 EA
24	1 EA	INSTALL HOSE CARRIER	1 EA
23	1 EA	STABILIZER PLATE - FRONT JACK	1 EA
22	6.6 FT	ELECTRO GALV. STEEL COIL .021 X 3	6.6 FT
20	1 EA	INSTALL BAL JACKS (SET OF FOUR)	1 EA
19	1 EA	LP SYSTEM - BAMB	1 EA
18	82 SF	ALUM UNDERBELLY .019X65.75XCOIL	82 SF
17	57 SF	COIL ALUM 22.50 WIDE/UNDERBELLY	57 SF
16	12 FT	WIRE BARE COPPER 8 GA	12 FT
15	1 EA	LUG GROUND	1 EA
14	2 EA	CLEVIS SAFETY SLIPHOOK	2 EA
13	80.5 SF	INSULATION/FIBERGLASS-2 X 90 X60'	80.5 SF
12	1 EA	GRAY TANK INST	1 EA
11	1 EA	HANDLE STABILIZER JACKS	1 EA
10	4 EA	STABILIZER JACK-NORCO #23007	4 EA
9	1 EA	ASSEMBLY, 7-WAY COMPLETE	1 EA
8	1 EA	RACEWAY BOX - ELECTRICAL BAMB	1 EA
7	1 EA	BUMPER/HOSE STORAGE INST	1 EA
6	1 EA	SINGLE STEP INSTALL	1 EA
5	1 EA	FOOT PAD #1231	1 EA
4	1 EA	JACK POST INSTALLATION, MANUAL	1 EA
3	2 EA	INSTALL TIRE/WHEEL - 15"	2 EA
2	1 EA	AXLE INSTALLATION - 4000 LB	1 EA
1	1 EA	CHASSIS WELDMENT	1 EA

TITLE: CHASSIS PREP

SCALE: 1:10

DATE: 10/16/97

DRAWING NUMBER: 915531

REV. N

BY: JM

SHEET: 1 OF 1

FIRST USAGE: BAMB - '98

NEXT ASSY: