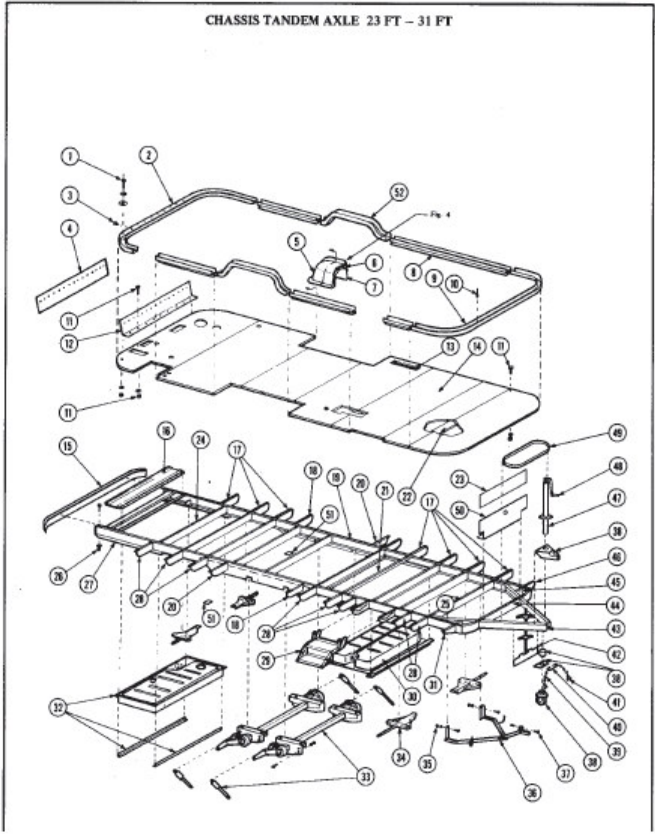


CHASSIS TANDEM AXLE 23 FT - 31 FT



CHASSIS ASSEMBLY - TANDEM AND SINGLE

No.	Part No.	Description
1	00647	Bolt 3/8 - 16 x 1 1/2
	00126	Nut 3/8 - 16
	00132	Washer, lock 3/8
	00618	Washer, flat 3/8 ID x 3/4 OD
	00700	Washer, flat 1 1/2 x 3
2	01067	Floor channel formed rear
3	00615	Rivet, hard 4-8 hard
4	02015	Alum. alclad .032 x 3/8 x 61 1/2
5	01178	Wheel well, tandem (interior)
	01177	Wheel well, single (interior)
6	03017	Insulation
7	01147	Wheel well, tandem (exterior)
	01146	Wheel well, single (exterior)
8	01097	Floor channel 10. 13' ea.
9	01066	Floor channel formed front
10	00253	Rivet, bund self plugging GSP-T-RB-15
11	00096	Floor bolt 1/2 - 20 x 2
	00114	Nut
	00131	Lock washer
12	01060	Rear hold-down plate
13	01099	Screen 1/4" mesh 5" x 24"
14	01065	Plywood 3/4" x 48" x 96"
15	01026	Bumper
16	10040	Hose carrier assembly
	00003	Lid, hose carrier
	00687	Hinge
	00526	Support arm
	00022	Bracket, support arm 1 1/4"
	08326	Catch set
	02015	Aluminum sheet .032 x 1 1/2 x 61 1/2
17	01019	Standard outrigger roadside
18	01023	Solid outrigger, notched 5" LH.
19	01001	Channel, formed
20	01024	Solid outrigger, notched 5" R.H.
21	01078	Cross member angle 1 1/2 x 1 1/4 x 61 1/2
22	08333	Floor splice 5/8 x 5 x 57
23	01068	Plate, hold down
24	01015	Crossmember, 5"
	01016	Crossmember, 4-3/8 @ floor splice
	01033	Crossmember fwd. solid
25	00115	Nut 5/16-18 hex, cad. plated
	00528	Washer, lock helical spring, cad. 5/16
	00522	Flat HD, mach. screw 5/16 x 3/4
27	01028	Skid, rear
28	01020	Standard outrigger curb-side
29	-	Step assembly (see page 5)
30	-	Water tank installation (see page 6)

31	01022	Tapered outrigger (C.S.)
32	-	Waste tank install. L.Y. (see page 8) int'l (see page 7)
33	-	Tandem running gear (see page 10)
	-	Single running gear (see page 10)
34	-	B.A.L. jacks (See page 25)
35	00537	Bolt, carriage
36	09518	Spare wheel carrier (See page 24)
37	00538	Bolt, machine
38	01036	Hitch as'y - Marvel (less jack)
		Includes the following:
	MC883	Coupler
	MC592	Caster w/thumb screw
	MC353-4	Guide plate with modified hole
	-	Hex bolts
	MC557	Locking mechanism
	-	Guide plate bushing (power jack only)
39	01193	Chain, safety
40	01194	Chain retaining loop
41	01041	Shackle
42	01058	Gas bottle base
43	01037	Tubing A frame
44	01034	Crossmember, formed
45	01029	Gusset plate
46	01021	Tapered outrigger (R.S.)
47	01192	Jack post (Atwood)
48	00425	Grip, jack handle
49	01059	Rack, gas bottle
50	01081	Front hold down panel
51	02096	Jack pads
52	01144	Wheel well stiffener (tandem)
	01151	Wheel well stiffener (single)

For costs see Price Book - Chassis and Components  
Butane Equipment

