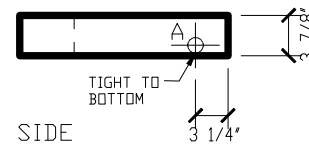
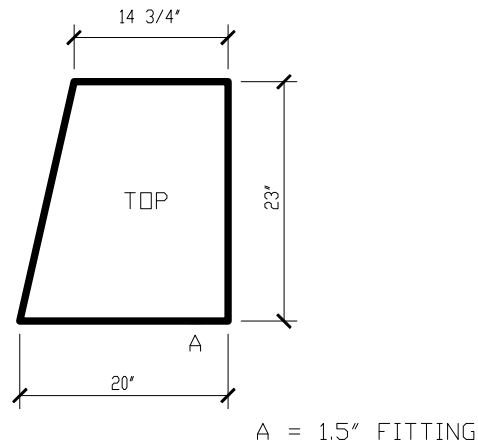
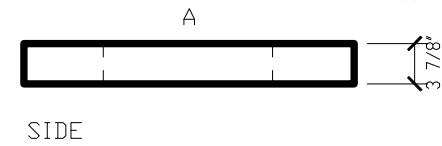
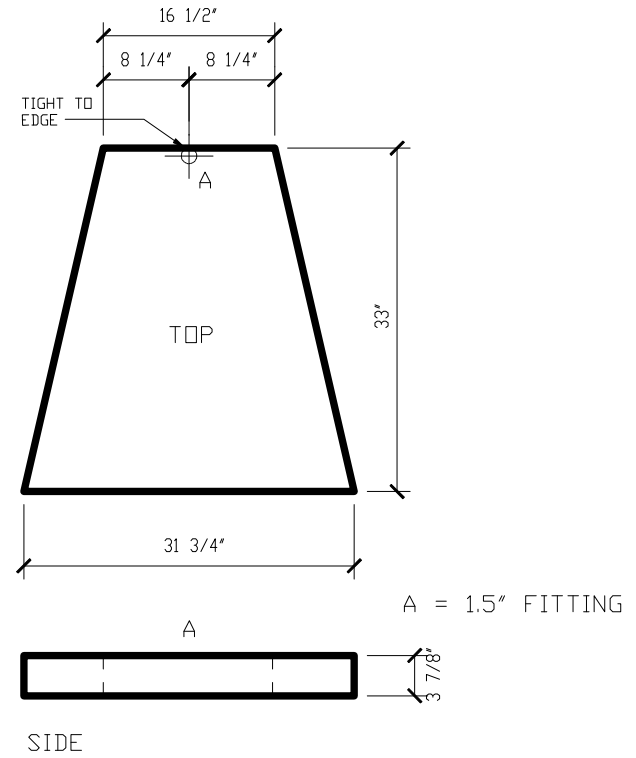


**TANK A
(BLACK)**



**TANK B
(GREY)**



**TANK C
(GREY)**