

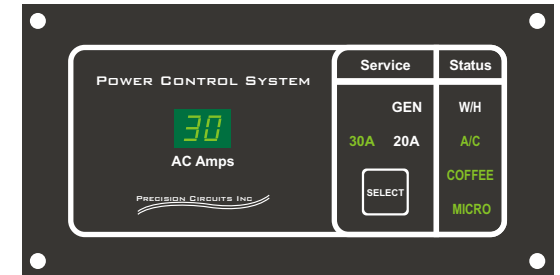
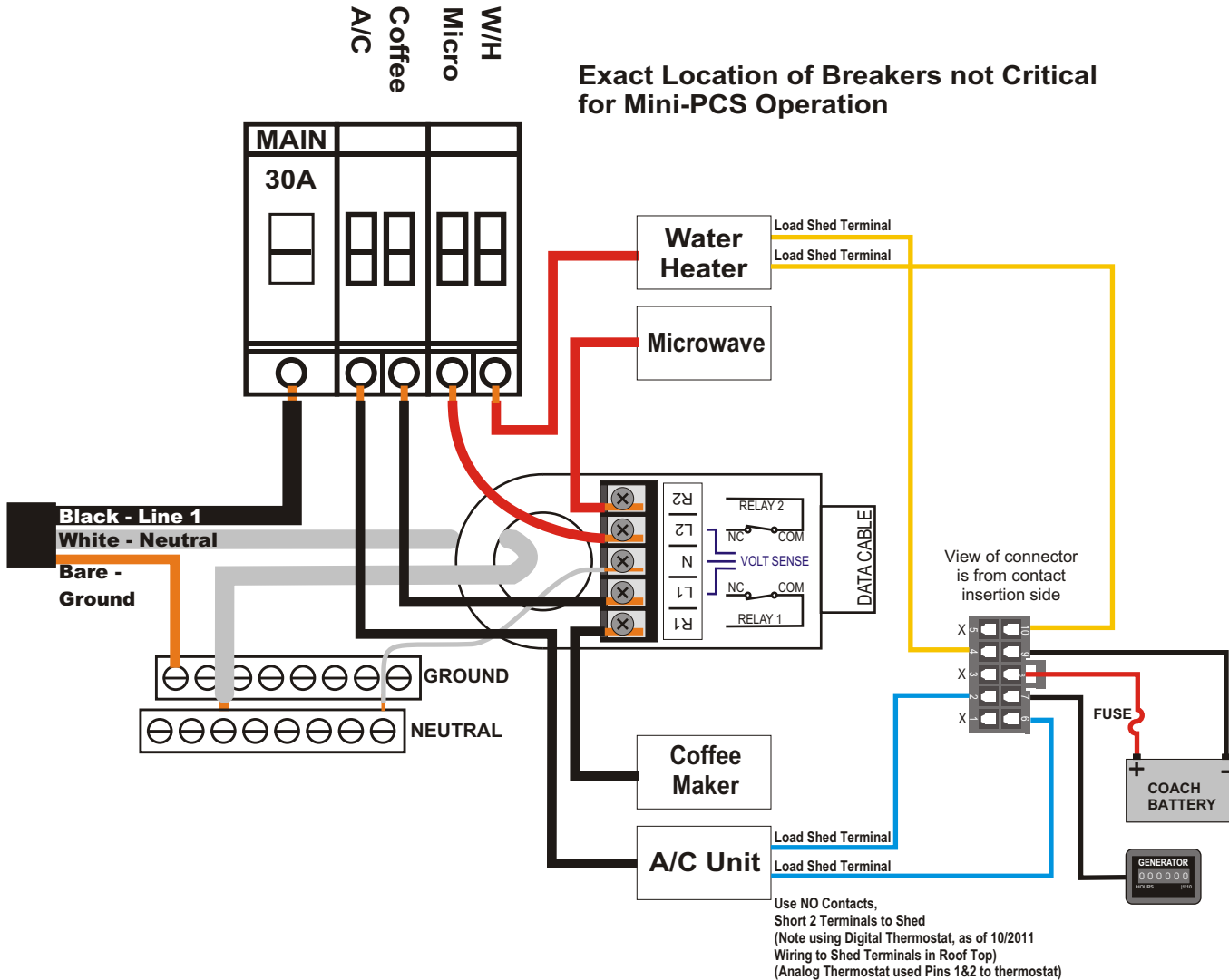
MINI POWER CONTROL SYSTEM



AIRSTREAM WIRING DIAGRAM REV A

(Using Dometic Comfort Control Digital Thermostat)

Model 600
 Program Options:
 Relay Shed Order:
 4-Water Heater
 3-A/C (Compressor Only)
 1-Coffee Maker
 2-Microwave
 50A = Ignore 50A Service
 GEN = 20A Current Limit
 Shed Loads



MINI POWER CONTROL SYSTEM



AIRSTREAM WIRING DIAGRAM REV A

(Using Dometic Comfort Control Digital Thermostat)

Model 610
 Program Options:
 Relay Shed Order:
 1-Water Heater
 4-A/C (Compressor Only)
 2-Microwave
 3- (Not Used)
 50A = Ignore 50A Service
 GEN = 22A Current Limit
 Shed Loads

Exact Location of Breakers not Critical
 for Mini-PCS Operation

