

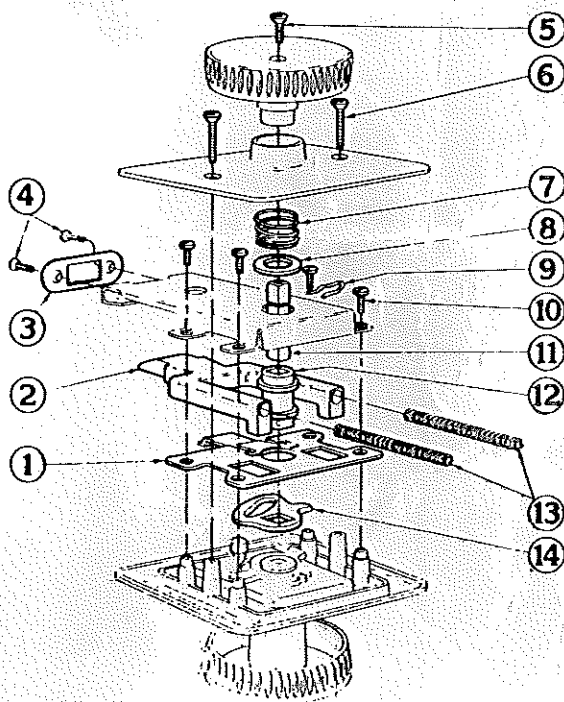
THEODORE
Bargman
COMPANY

41143

501 B-1143

Replacement

Parts For L-100, L-200 Door Locks



IMPORTANT

Parts numbered and circled are included in package. Other parts are pictured to aid in assembly.

NO. & QTY.	IBM NO.	DESCRIPTION
1-1	10-10-705	DEAD BOLT ASSY.
2-1	10-10-040	LATCH BOLT
3-1	10-10-151	TRIM PLATE
4-2	10-90-330	SCR. #8 - 32 x 1/2"
5-1	10-10-340	SCR. #10 - 32 x 5/8"
6-2	10-90-355	SCR. #10-32 x 1-5/8"
7-1	10-90-180	HANDLE SPRING
8-1	10-30-090	WASHER
9-1	10-90-190	COTTER PIN
10-4	10-10-320	SCR. #8 - 32 x 3/8"
11-1	10-10-435	SQ. SHANK 2-3/8"
12-1	10-10-110	CAM TUBE & RING
13-2	10-10-161	BOLT SPRING
14-1	10-10-070	INSIDE CAM